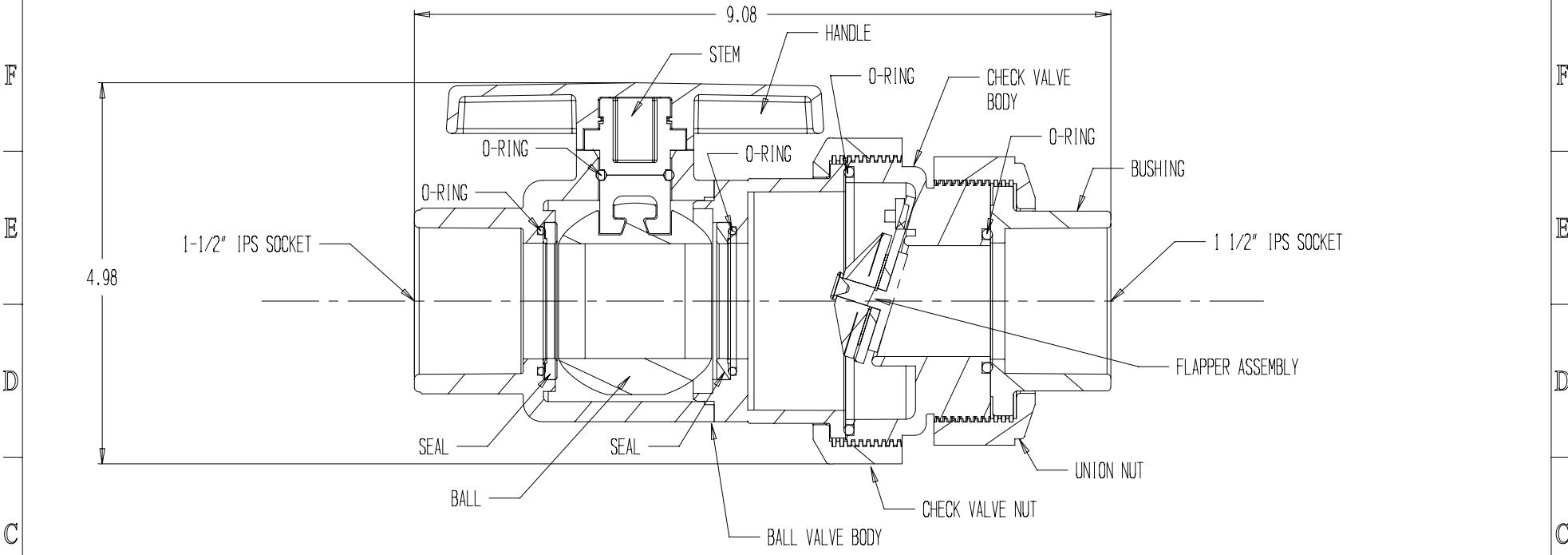


10 9 8 7 6 5 4 3 2 1 PLOT DATE

NOTES: (UNLESS OTHERWISE SPECIFIED)

1 MATERIAL: PVC BODY/BALL
ABS HANDLE
UHMW-HDPE SEALS
EPDM O-RINGS
EPDM GASKETS

LTR.	REL'D DATE	BY	REVISIONS	CHK DATE	REQUESTOR



DO NOT SCALE DRAWING

2 INCH

SYMBOLS	
() - REFERENCE	∅ - SPHERICAL DIAMETER
R - RADIUS	□ - SQUARE
SR - SPHERICAL RADIUS	

NOTICE: THIS DRAWING EMBODIES A CONFIDENTIAL PROPRIETARY DESIGN ORIGINATED BY KING BROS. INDUSTRIES, AND ALL DESIGN, MANUFACTURING, REPRODUCTION, USE AND SALE RIGHTS REGARDING THE SAME ARE EXPRESSLY RESERVED. IT IS SUBMITTED UNDER A CONFIDENTIAL RELATIONSHIP FOR A SPECIFIC PURPOSE AND THE RECIPIENT AGREES BY ACCEPTING THIS DRAWING NOT TO SUPPLY OR DISCLOSE ANY INFORMATION REGARDING IT TO ANY UNAUTHORIZED PERSON OR TO INCORPORATE IN OTHER PROJECTS ANY SPECIAL FEATURE UNIQUE TO THIS DESIGN. ALL PATENT RIGHTS HERETO ARE EXPRESSLY RESERVED.

UNLESS OTHERWISE SPECIFIED:	.X = ±.050 .XX = ±.020 .XXX = ±.010 ANGLES ±1° √ = 63 DWG SYMBOLS PER ANST
DRAWN JC DESIGNED JC CHECKED JC APPR. JC DATE 12/28/06	DATE 12/28/06 DATE 12/28/06 DATE 12/28/06 DATE 12/28/06 DATE 12/28/06 DATE 12/28/06 DATE 12/28/06
RELEASED JC	DATE 12/28/06

XX	XX	PART NO.	TITLE	MATERIAL/SPECIFICATION	REFERENCE DESIGNATION	ITEM NO.
PARTS LIST						
KING BROS. INDUSTRIES VALENCIA, CALIFORNIA						
SUPERCEDES SCALE 1:2 MATERIAL (1) MOLD NO(S) (XX)					PROJECT NO.	FIRST USED ON
DESCRIPTION 1 1/2" PVC BALL VALVE W/INTERGRAL UNIONIZED CHECK VALVE					DRAWING NUMBER	
PART NO. BCX-1500-S					BCX05S A1A01Eng-Rev. 1/04/07JC A1A--Rev.1/04/07	
CALC. .XXX ACT. .XXX					SHEET 1 OF 1	

10 9 8 7 6 5 4 3 2 1