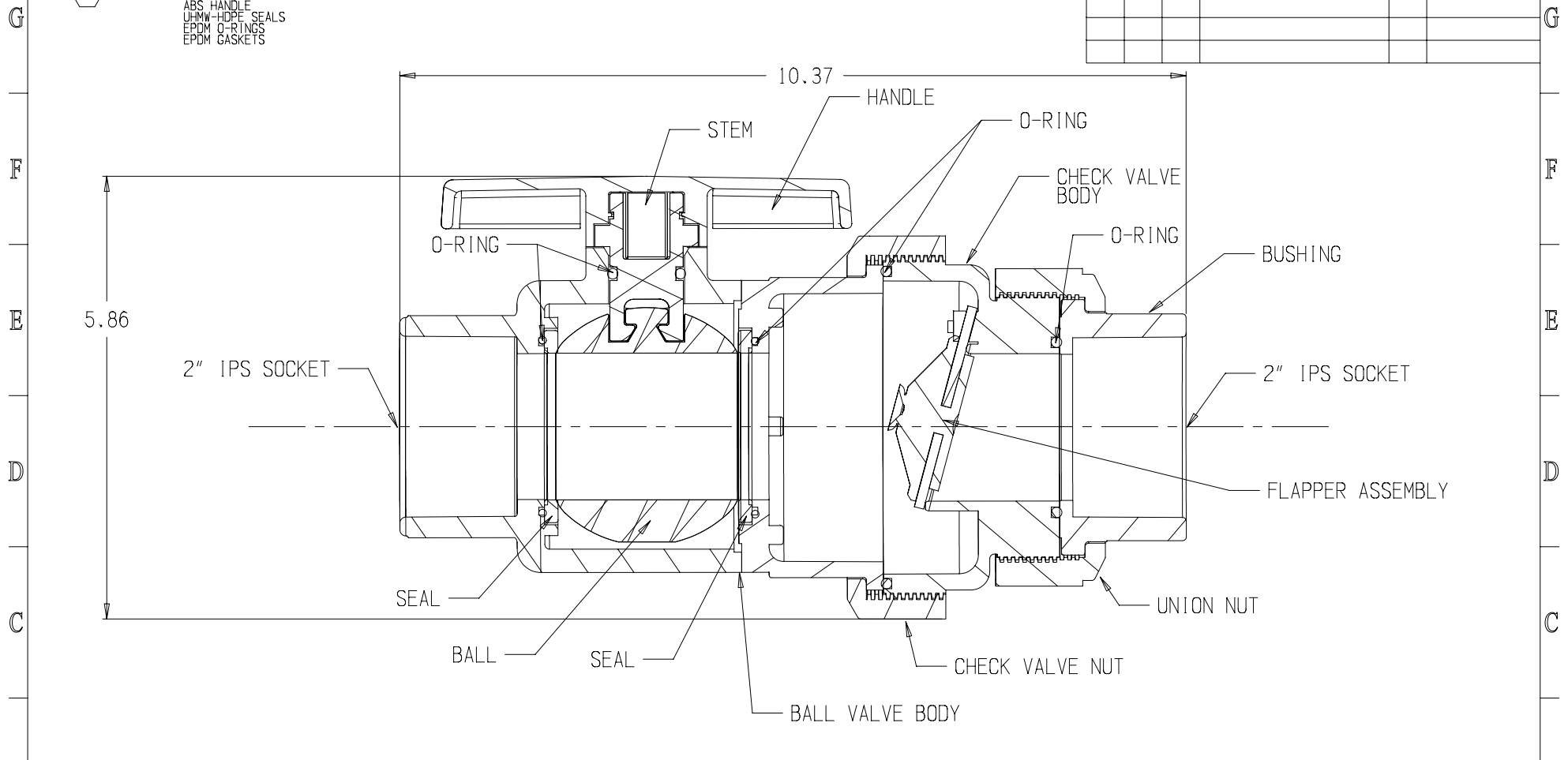


10 9 8 7 6 5 4 3 2 1 PLT DATE

NOTES: (UNLESS OTHERWISE SPECIFIED)

1 MATERIAL: PVC BODY/BALL
ABS HANDLE
UHMW-HDPE SEALS
EPDM O-RINGS
EPDM GASKETS

LTR.	REL'D DATE	BY	REVISIONS	CHK DATE	REQUESTOR



DO NOT SCALE DRAWING

0.005

NOTICE: THIS DRAWING EMBODIES A CONFIDENTIAL PROPRIETARY DESIGN ORIGINATED BY KING BROS. INDUSTRIES. NO PART OF THIS DESIGN, MANUFACTURING, REPRODUCTION, USE AND SALE RIGHTS REGARDING THE SAME ARE EXPRESSLY RESERVED. IT IS SUBMITTED UNDER A CONFIDENTIAL RELATIONSHIP FOR A SPECIFIC PURPOSE, AND THE RECIPIENT AGREES BY ACCEPTING THIS DRAWING NOT TO SUPPLY OR DISCLOSE ANY INFORMATION REGARDING IT TO ANY UNAUTHORIZED PERSON, OR TO INCORPORATE IN OTHER PROJECTS ANY SPECIAL FEATURE UNIQUE TO THIS DESIGN. ALL PATENT RIGHTS HERETO ARE EXPRESSLY RESERVED.

UNLESS OTHERWISE SPECIFIED:	DRAWN	DATE	SUPERCEDES
.X = ±.050	JC	12/28/06	
.XX = ±.020	DESIGNED	12/28/06	SCALE
.XXX = ±.010	JC	12/28/06	1:2
ANGLES ±1°	CHECKED	12/28/06	MATERIAL (MOLD NOT S)
✓ = 63	JC	12/28/06	1
DWG SYMBOLS PER ANSI	APPR.	12/28/06	XXXXX
	JC	12/28/06	XXXXX
	APPR.	12/28/06	XXXXX
	DATE	12/28/06	
	RELEASED	12/28/06	
	JC	12/28/06	

XX	XX	PART NO.	TITLE	MATERIAL/SPECIFICATION	REFERENCE DESIGNATION	ITEM NO.
PARTS LIST						
KING BROS. INDUSTRIES VALENCIA, CALIFORNIA				PROJECT NO.	FIRST USED ON	
DESCRIPTION			2" PVC BALL VALVE W/INTEGRAL UNIONIZED CHECK VALVE			
PART NO.			DRAWING NUMBER			
BCX-2000-S			BCX06S A1A01 Eng-Rev. 1/04/07 JC ATA--Rev. 1/04/07			
			SHEET 1 OF 1			

10 9 8 7 6 5 4 3 2 1