



The Professional's Choice

King Bros. Industries

29101 The Old Road, Valencia, CA 91355

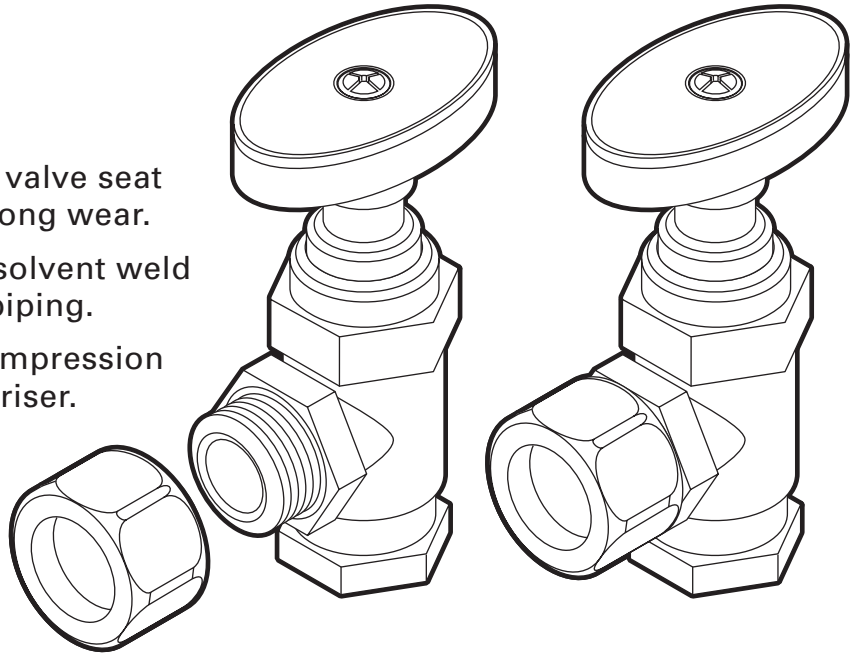
Toll Free: (800) 325-9468 Fax: (661) 257-4320

E-mail: valves@kbico.com Web: www.kbico.com

Angle Supply Valves (CTS)

Features:

- Tapered non-metallic valve seat and stem guarantee long wear.
- Quick/Safe/Permanent solvent weld installation to CPVC piping.
- Strong and secure compression connection to plastic riser.
- Meets/Exceeds all applicable ASTM and ANSI standards.
- Approved for hot and cold applications (to 200°F).
- Made with **FlowGuard Gold®** material.
- Molded in the **USA** by KBI.



Model	Size	Connection	Case	Weight
ASV-0375-CH	1/2" x 3/8"	Slip CTS x Nut/Ferule	36	7.0
ASV-0500-CH	1/2" x 3/8"	Slip x MHT	36	5.3

FEATURES COMMON TO KBI CPVC PLUMBING PRODUCTS

- NSF listed *
- Molded in the USA by KBI
- Limited LIFETIME Warranty
- Pressure rated to 100 psi @180°F
- Meets/Exceeds all ASTM Standards
- Made with FlowGuard Gold® CPVC

