



*The Choice of Professionals*

**King Bros. Industries**

29101 The Old Road, Valencia, CA 91355

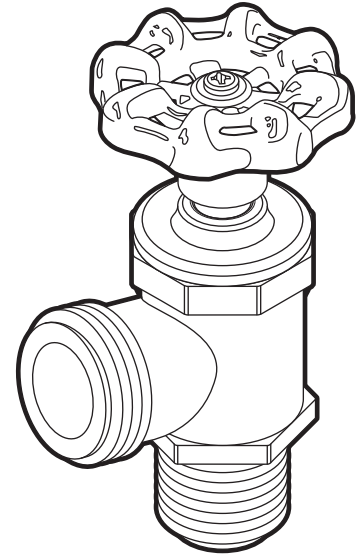
Toll Free: (800) 325-9468 Fax: (661) 257-4320

E-mail: valves@kbico.com Web: www.kbico.com

# Celcon Female Inlet Boiler Drain (IPS)

## Features:

- Approved for hot and cold applications (to 200°F).
- Manufactured in the **USA** by KBI.



Model	Size	Connection	Case	Weight
BDM-0500-T	1/2"	MIPT x MHT	36	5.6
BDM-0750-T	3/4"	MIPT x MHT	36	5.6

### FEATURES COMMON TO KBI CPVC PLUMBING PRODUCTS

- NSF listed \*
- IAPMO (UPC) listed \*
- Molded in the USA by KBI
- Pressure rated to 100 psi @ 180°F
- Meets/Exceeds all ASTM Standards
- Made with Celcon
- Limited LIFETIME Warranty

