



## The Choice of Professionals

### King Bros. Industries

29101 The Old Road, Valencia, CA 91355

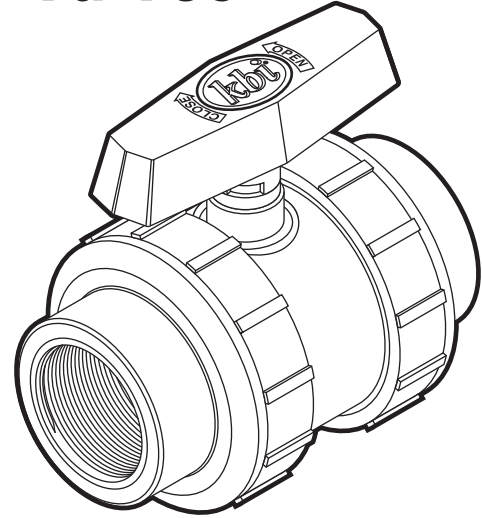
Toll Free: (800) 325-9468 Fax: (661) 257-4320

E-mail: valves@kbico.com Web: www.kbico.com

# Blocked True Union Ball Valves

## Features:

- EPDM O'rings.
- Viton O'rings available.
- Meets/Exceeds ASTM schedule 80 socket and material standards.
- Made of High-Impact PVC Type II material.
- Molded in the **USA** by KBI.
- 235 PSI Rated (*Static Pressure*) 150 PSI (*Working Pressure*) at 72°.
- Nominal operating pressure.
- NSF Standard listed.



Models		Size	L	H	W	Case	Weight
Slip	Thread						
BTU-0500-E		1/2"	4"	3.25"	2"	18	9.1
BTU-0750-E		3/4"	4.75"	4"	2.5"	10	8.4
BTU-1000-E		1"	5"	4.5"	3"	8	9.5
BTU-1250-E		1 1/4"	6"	5.5"	3.5"	4	8.2
BTU-1500-E		1 1/2"	6.25"	5.5"	3.5"	4	8.5
BTU-2000-E		2"	6.75"	6.5"	4.5"	4	6.6
BTU-2500-SE	BTU-2500-TE	2 1/4"	10.11"	8.56"	6.89"	1	12.7
BTU-3000-SE	BTU-3000-TE	3"	10.03"	8.56"	6.89"	1	13
BTU-4000-SE	BTU-4000-TE	4"	12.34"	10.59"	8.45"	1	19.3

## FEATURES COMMON TO KBI PVC PRODUCTS

- NSF listed \*
  - Molded in the USA by KBI
  - Limited LIFETIME Warranty
  - 235 PSI Rated (*Static Pressure*) 150 PSI (*Working Pressure*) at 72°
  - Meets/Exceeds ASTM Standards
  - Made with Hi-Impact PVC Type II Cell Class 15344-C
- \* See individual products for details

