



The Choice of Professionals

King Bros. Industries

29101 The Old Road, Valencia, CA 91355

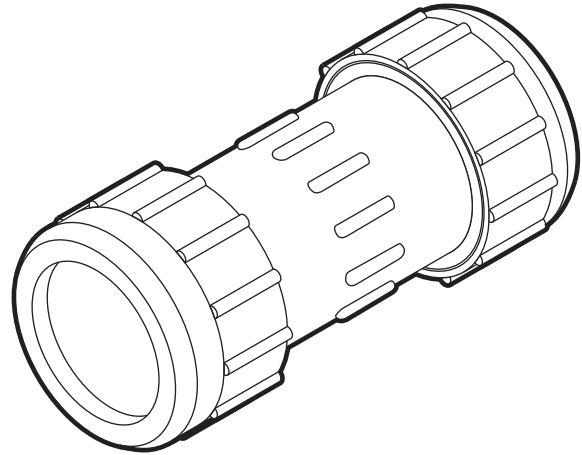
Toll Free: (800) 325-9468 Fax: (661) 257-4320

E-mail: valves@kbico.com Web: www.kbico.com

CPVC Compression Coupling

Features:

- Approved for hot and cold applications @ 100 psi @ 180°F.
- Meets/Exceeds all applicable ASTM and ANSI standards.
- Made with **PlatinumXCELL**® material.
- NSF Standard 61 listed.
- Hi-strength Santoprene™ gaskets.
- Code approved.
- Complies with all Low-Lead plumbing laws.
- ASTM D2846 25-50 Flame & Smoke Rated (*water filled*).
- Molded in the **USA** by KBI.



Model	Size	Description	Case	Weight
CCC-0500-C	1/2"	COMP x COMP	48	7.8
CCC-0750-C	3/4"	COMP x COMP	30	8.7
CCC-1000-C	1"	COMP x COMP	24	8.5

FEATURES COMMON TO KBI CPVC PLUMBING PRODUCTS

- NSF listed *
- IAPMO (UPC) listed *
- Molded in the USA by KBI
- Pressure rated to 100 psi @180°F
- Meets/Exceeds all ASTM Standards
- Made with PlatinumXCELL® CPVC
- Limited LIFETIME Warranty



PLATINUMXCELL®