



## The Choice of Professionals

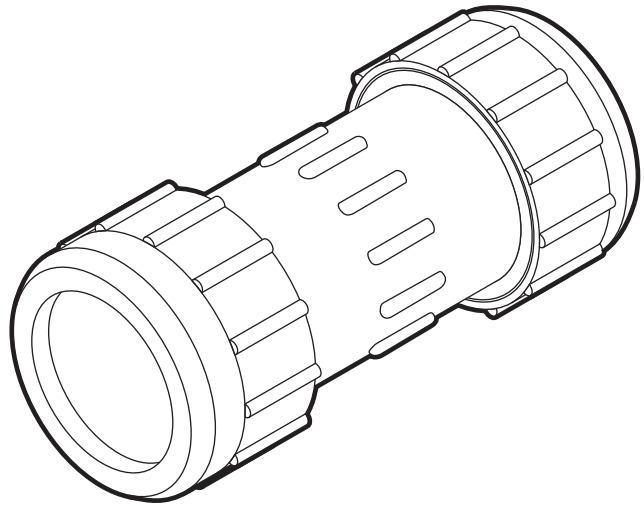
### King Bros. Industries

29101 The Old Road, Valencia, CA 91355  
Toll Free: (800) 325-9468 Fax: (661) 257-4320  
E-mail: valves@kbico.com Web: www.kbico.com

# PVC Compression Coupling

## Features:

- Approved for hot and cold applications @ 100 psi @ 180°F.
- Meets/Exceeds all applicable ASTM and ANSI standards.
- Made with **PolyOne**® PVC material.
- Molded in the **USA** by KBI.
- NSF Standard 61 listed.
- Hi-strength Santoprene™ gaskets.



Model	Size	Description	Case	Weight
CCC-0500	1/2"	COMP x COMP	15	2.3
CCC-0750	3/4"	COMP x COMP	30	7.7
CCC-1000	1"	COMP x COMP	24	7.6
CCC-1250	1 1/4"	COMP x COMP	18	7.7
CCC-1500	1 1/2"	COMP x COMP	12	7.3
CCC-2000	2"	COMP x COMP	5	7.5

## FEATURES COMMON TO KBI PVC PRODUCTS

- NSF listed \*
  - Molded in the USA by KBI
  - Limited LIFETIME Warranty
  - Pressure rated to 100 psi @180°F
  - Meets/Exceeds ASTM Standards
  - Made with Hi-Impact PVC Type II Cell Class 15344-C
- \* See individual products for details

