



The Choice of Professionals

King Bros. Industries

29101 The Old Road, Valencia, CA 91355

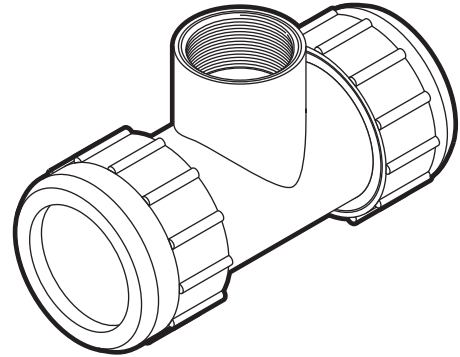
Toll Free: (800) 325-9468 Fax: (661) 257-4320

E-mail: valves@kbico.com Web: www.kbico.com

PVC Compression Reducing Tee, Threaded (IPS)

Features:

- Molded in the **USA** by KBI.
- Pressure Rated to 150 psi @ 73°F
- NSF listed.
- Meets/exceeds ASTM D-1784 & ASTM D-2000
- Made with HI-Impact PVC Type II material.



Model	Size	Description	Case	Weight
CRT-0750-S	3/4"	1" COMP x 1" COMP 3/4" FIPT	20	7.3

FEATURES COMMON TO KBI PVC PLUMBING PRODUCTS

- NSF listed *
- Molded in the USA by KBI
- Pressure rated to 150 psi @73°F
- Meets/Exceeds all ASTM Standards
- Limited LIFETIME Warranty

