



## The Professional's Choice

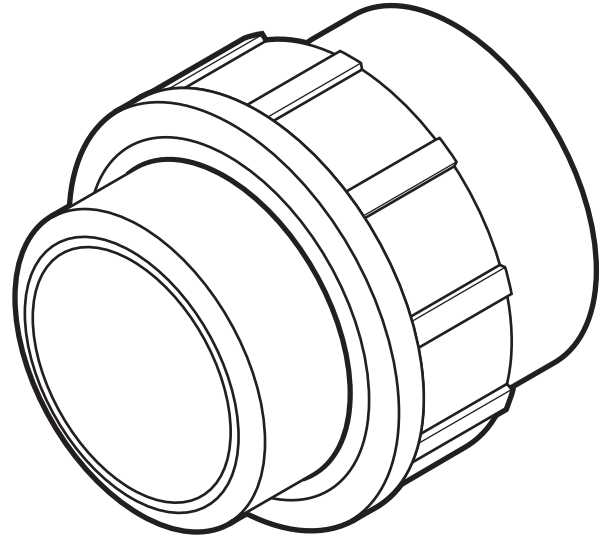
### King Bros. Industries

29101 The Old Road, Valencia, CA 91355  
Toll Free: (800) 325-9468 Fax: (661) 257-4320  
E-mail: valves@kbico.com Web: www.kbico.com

# CPVC CTS Union

## Features:

- EPDM O'rings.
- Viton O'rings available.
- Approved for hot and cold applications @ 100 psi @ 180°F.
- Meets/Exceed all applicable ASTM and ANSI standards.
- Made with **FlowGuard Gold®** CPVC.
- Molded in the **USA** by KBI.
- NSF Standard 14 & 61 listed.
- Beige color body.



Model	Size	Description	Case	Weight
RCU-0500-S	1/2"	Socket CTS x Socket CTS	12	1.0
RCU-0750-S	3/4"	Socket CTS x Socket CTS	12	2.2
RCU-1000-S	1"	Socket CTS x Socket CTS	12	3.1

### FEATURES COMMON TO KBI CPVC PLUMBING PRODUCTS

- NSF listed \*
- IAPMO (UPC) listed \*
- Molded in the USA by KBI
- Pressure rated to 100 psi @180°F
- Meets/Exceeds all ASTM Standards
- Made with FlowGuard Gold® CPVC
- Limited LIFETIME Warranty

