



The Choice of Professionals

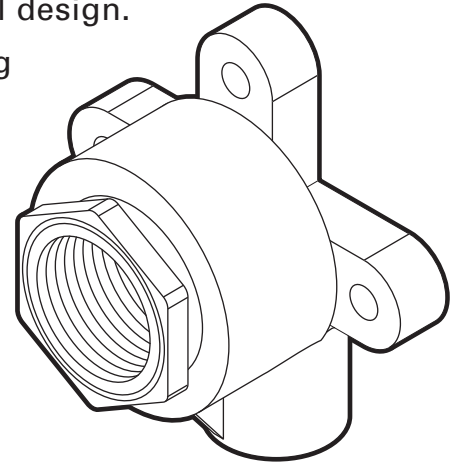
King Bros. Industries

29101 The Old Road, Valencia, CA 91355
Toll Free: (800) 325-9468 Fax: (661) 257-4320
E-mail: valves@kbico.com Web: www.kbico.com

CPVC Transition Drop Ear 90° Ell

Features:

- DE-0500-S unique molded CPVC/Stainless Steel design.
- Designed with internal "knurl" and EPDM O'ring insures reliability and integrity.
- Meets/exceeds all ASTM & ANSI standards.
- Made with **PlatinumXCELL**® material.
- **Stainless Steel** is truly Lead-Free.
- Complies with all Low-Lead plumbing laws.
- ASTM D2846 25-50 Flame & Smoke Rated (*water filled*).
- Code approved.
- Molded in the **USA** by KBI.



Model	Size	Case	Weight
DE-0500-S	1/2" Socket CTS x FIPT Stainless Steel (<i>Plastic Elbow</i>)	100	Call

FEATURES COMMON TO KBI CPVC PLUMBING PRODUCTS

- NSF listed *
- IAPMO (*UPC*) listed *
- Molded in the USA by KBI
- Pressure rated to 100 psi @180°F
- Meets/Exceeds all ASTM Standards
- Made with PlatinumXCELL® CPVC
- Limited LIFETIME Warranty

