



The Choice of Professionals

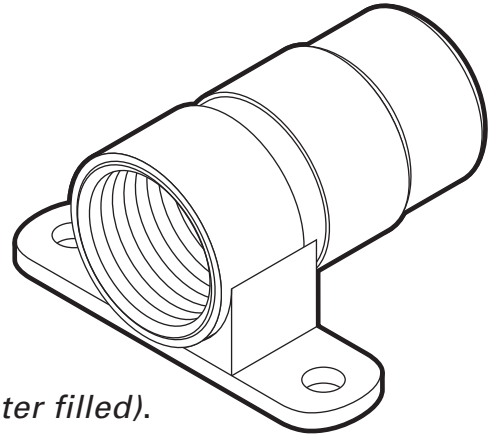
King Bros. Industries

29101 The Old Road, Valencia, CA 91355
Toll Free: (800) 325-9468 Fax: (661) 257-4320
E-mail: valves@kbico.com Web: www.kbico.com

Staight Drop Ear (CTS)

Features:

- DES unique molded CPVC/Brass design.
- Both models employ molded CPVC/Brass technology with internal "knurl" and EPDM O'ring insuring reliability and integrity.
- Meets/exceeds all ASTM & ANSI standards.
- Made with **PlatinumXCELL**® material.
- Complies with all Low-Lead plumbing laws.
- ASTM D2846 25-50 Flame & Smoke Rated (*water filled*).
- Code approved.
- Molded in the **USA** by KBI.



Model	Size	Size	Case	Weight
DES-0500	1/2"	Brass/CPVC Drop Ear Strt	25	10.1
DES-0750	3/4"	Brass/CPVC Drop Ear Strt	15	7.5
DES-1000	1"	Brass/CPVC Drop Ear Strt	10	Call

FEATURES COMMON TO KBI CPVC PLUMBING PRODUCTS

- NSF listed *
- IAPMO (UPC) listed *
- Molded in the USA by KBI
- Pressure rated to 100 psi @180°F
- Meets/Exceeds all ASTM Standards
- Made with PlatinumXCELL® CPVC
- Limited LIFETIME Warranty

