



***The Professional's Choice***

**King Bros. Industries**

29101 The Old Road, Valencia, CA 91355

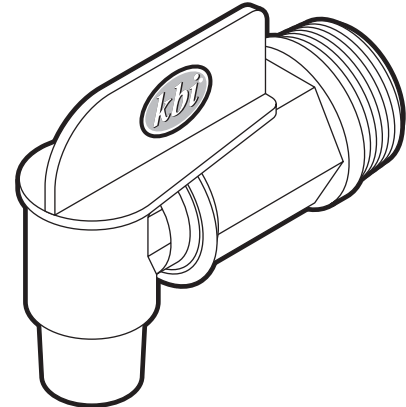
Toll Free: (800) 325-9468 Fax: (661) 257-4320

E-mail: valves@kbico.com Web: www.kbico.com

# Polyethylene Drum and Barrel Faucets *(IPS)*

## Features:

- Meets/Exceeds ASTM & ANSI standards.
- Made from chemically resistant Poly Ethylene.
- Low friction bearing surfaces allow for easy open and close.



| Model     | Size | Connection          | Case | Weight |
|-----------|------|---------------------|------|--------|
| DF-0750-T | 3/4" | MIPT x Plain Outlet | 18   | 1.7    |
| DF-2000-T | 2"   | MIPT x Plain Outlet | 4    | 3.1    |

### FEATURES COMMON TO KBI PLUMBING PRODUCTS

- Meets/Exceeds ASTM Standards
- Limited LIFETIME Warranty

