



The Choice of Professionals

King Bros. Industries

29101 The Old Road, Valencia, CA 91355

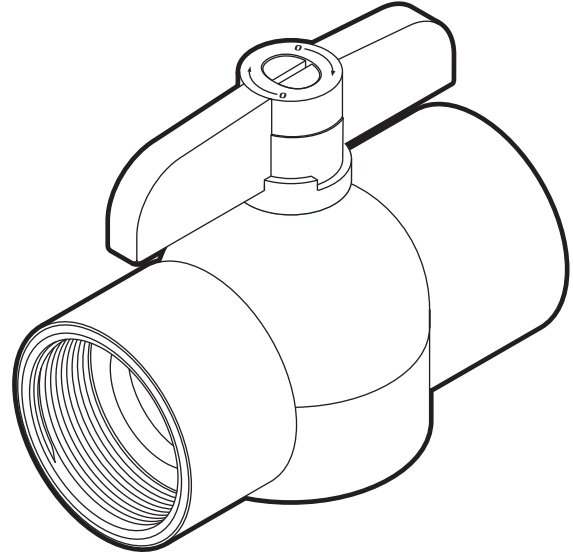
Toll Free: (800) 325-9468 Fax: (661) 257-4320

E-mail: valves@kbico.com Web: www.kbico.com

PVC Schedule 80 Economy Ball Valves

Features:

- EPDM O'rings.
- Viton O'rings available.
- Meets/Exceeds ASTM schedule 80 socket and material standards.
- Made of High-Impact PVC Type II material.
- Molded in the **USA** by KBI.
- 150 psi working pressure (tested to 500 psi static @ 72°F)
Nominal operating pressure.
- NSF Standard listed.



Models		Size	A	L	H	W	Case	Weight
Socket	Thread							
EBVG-0500-S	EBVG-0500-T	1/2"	2.3"	2.7"	2.1"	1.2"	36	5.2
EBVG-0750-S	EBVG-0750-T	3/4"	2.6"	3.1"	2.4"	1.4"	24	5.4
EBVG-1000-S	EBVG-1000-T	1"	3.2"	3.5"	2.7"	1.7"	18	6.2
EBVG-1250-S	EBVG-1250-T	1 1/4"	4.2"	4.9"	4.0"	2.0"	6	4.2
EBVG-1500-S	EBVG-1500-T	1 1/2"	4.2"	5.2"	4.0"	2.5"	6	4.4
EBVG-2000-S	EBVG-2000-T	2"	5.2"	6.0"	5.0"	2.7"	6	7.6

FEATURES COMMON TO KBI PVC PRODUCTS

- NSF listed *
- IAPMO (UPC) listed *
- Molded in the USA by KBI
- Limited LIFETIME Warranty
- 150 psi working pressure (tested to 500 psi static @ 72°F)
- Meets/Exceeds ASTM Standards
- Made with Hi-Impact PVC Type II Cell Class 15344-C
- * See individual products for details

