



The Choice of Professionals

King Bros. Industries

29101 The Old Road, Valencia, CA 91355

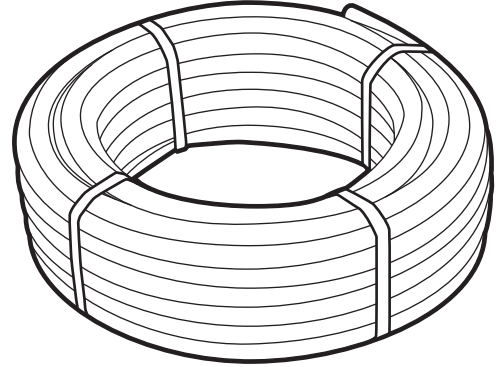
Toll Free: (800) 325-9468 Fax: (661) 257-4320

E-mail: valves@kbico.com Web: www.kbico.com

FLEXee Pipe™

Features:

- Made from durable polyethylene.
- Pressure Rated to 150 psi working pressure.
- Meets/Exceeds ASTM & ANSI standards.
- Manufactured in the **USA** by KBI.



Model	Size	Connection	Case	Weight
FP-490	1/2" Int. Dia.	100' Coil	200	41.8
FP-50	1/2" Int. Dia.	50' Coil	100	20.9
FP-25	1/2" Int. Dia.	25' Coil	50	10.5

FEATURES COMMON TO KBI PLUMBING PRODUCTS

- Made in the USA by KBI
- Pressure rated to 150 psi @ 73°F
- Meets/Exceeds all ASTM Standards
- Limited LIFETIME Warranty

