



The Choice of Professionals

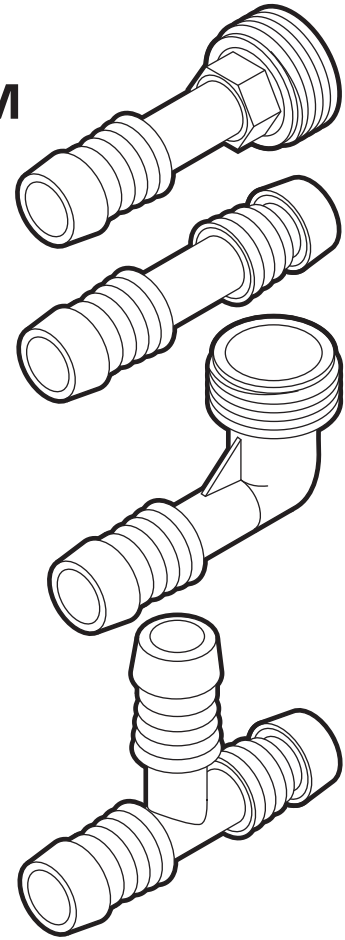
King Bros. Industries

29101 The Old Road, Valencia, CA 91355
Toll Free: (800) 325-9468 Fax: (661) 257-4320
E-mail: valves@kbico.com Web: www.kbico.com

FLEXee Pipe Fittings™

Features:

- Made from durable black Acetal plastic.
- Gusset design for increases strength.
- Spiral Barb Fittings for use with all .490 flexible pipe.
- Spiral allows easy twist-in insertion of units in pipe.
- Pressure Rated to 100 psi working pressure.
- Meets/Exceeds ASTM & ANSI standards.
- Manufactured in the **USA** by KBI.



Model	Size	Connection	Case	Weight
FPA-0500	1/2"	Flexee Adaptor	250	4.3
FPA-0750	3/4"	Flexee Adaptor	250	5.3
FPC-0490	0.49"	Flexee Connector	50	0.6
FPE-0500	1/2"	Flexee Elbow	250	6.0
FPE-0750	3/4"	Flexee Elbow	250	6.5
FPT-0500	1/2"	Flexee Tee	250	7.0

FEATURES COMMON TO KBI PLUMBING PRODUCTS

- Made in the USA by KBI
- Made with Acetal Copolymer
- Meets/Exceeds all ASTM Standards
- Limited LIFETIME Warranty

