



The Choice of Professionals

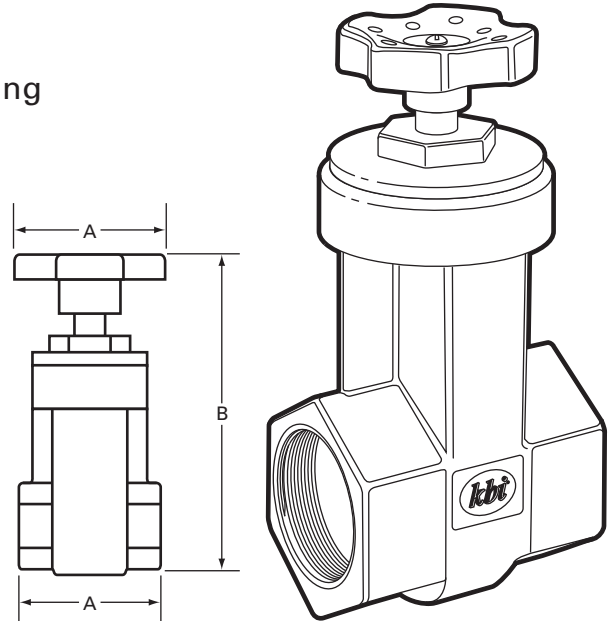
King Bros. Industries

29101 The Old Road, Valencia, CA 91355
 Toll Free: (800) 325-9468 Fax: (661) 257-4320
 E-mail: valves@kbico.com Web: www.kbico.com

Acetal Gate Valves (Viton)

Features:

- Polypropylene wedge for smooth sealing and longer service. (*Viton O'ring*).
- Meets/Exceeds ASTM schedule 80 socket and material standards.
- Strong non-rising stem construction.
- Molded in the **USA** by KBI.
- 150 psi working pressure (*tested to 500 psi static @ 72°F*).
- NSF Standard listed.



Model	Size	Dimensions			Case	Weight
		A	B	C		
GVL-0500-V	1/2"	2 ¹⁹ / ₆₄ "	4 ⁵³ / ₆₄ "	2 ³ / ₁₆ "	24	8.5
GVL-0750-V	3/4"	2 ¹⁹ / ₆₄ "	5 ¹ / ₃₂ "	2 ⁹ / ₃₂ "	20	8.4
GVL-1000-V	1"	2 ¹⁹ / ₆₄ "	5 ⁷ / ₁₆ "	2 ⁵³ / ₆₄ "	16	8.0
GVL-1250-V	1 1/4"	2 ²⁵ / ₃₂ "	7 ³ / ₄ "	3 ¹ / ₁₆ "	8	8.1
GVL-1500-V	1 1/2"	2 ²⁵ / ₃₂ "	7 ²⁹ / ₃₂ "	3 ¹ / ₁₆ "	6	6.2
GVL-2000-V	2"	3 ⁵ / ₁₆ "	9"	4 ³ / ₁₆ "	4	7.3

FEATURES COMMON TO KBI ACETAL PRODUCTS

- NSF listed *
 - Molded in the USA by KBI
 - Limited LIFETIME Warranty
 - 150 psi working pressure (*tested to 500 psi static @ 72°F*)
 - Meets/Exceeds ASTM Standards
 - Made with Hi-Impact PVC Type II Cell Class 15344-C
- * See individual products for details

