



The Choice of Professionals

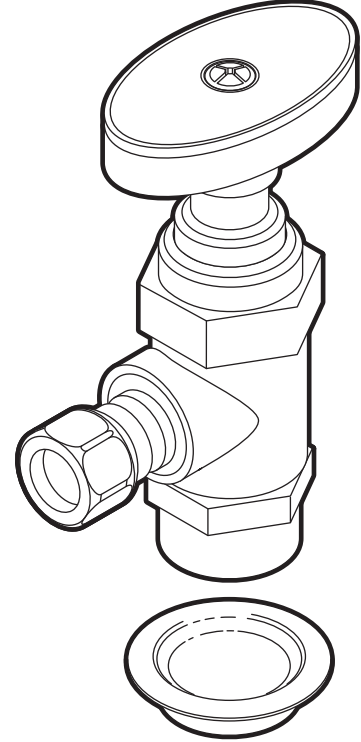
King Bros. Industries

29101 The Old Road, Valencia, CA 91355
Toll Free: (800) 325-9468 Fax: (661) 257-4320
E-mail: valves@kbico.com Web: www.kbico.com

CPVC Ice Maker (CTS)

Features:

- CPVC body and bonnet, styrene handle and polypropylene stem with EPDM stem seal.
- Complete with nylon lock ring attach valve securely to valve box.
- Quick and permanent weld to CPVC pipe.
- Meets/exceeds all ASTM & ANSI standards.
- Made with **PlatinumXCELL**® material.
- ASTM D2846 25-50 Flame & Smoke Rated (*water filled*).
- Code approved.
- Molded in the **USA** by KBI.



| Model | Size | Connection | Case | Weight |
|-------------|-----------|-----------------------|------|--------|
| IMV-0500-CH | 1/2" x 4" | Slip CTS x Nut/Ferule | 36 | 6.7 |

FEATURES COMMON TO KBI CPVC PLUMBING PRODUCTS

- NSF listed *
- IAPMO (UPC) listed *
- Molded in the USA by KBI
- Pressure rated to 100 psi @ 180°F
- Meets/Exceeds all ASTM Standards
- Made with PlatinumXCELL® CPVC
- Limited LIFETIME Warranty



PLATINUMXCELL®