



The Choice of Professionals

King Bros. Industries

29101 The Old Road, Valencia, CA 91355

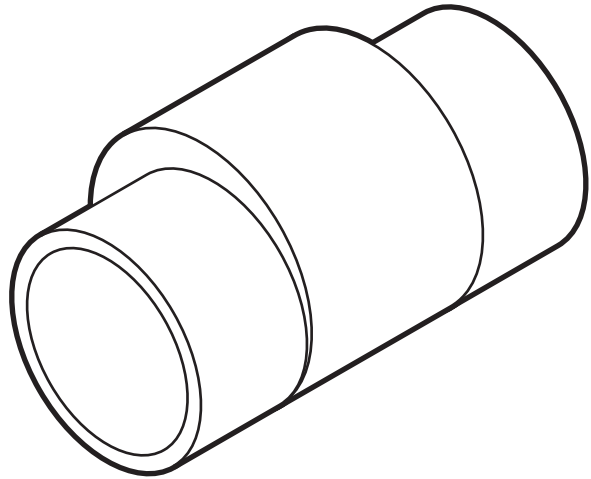
Toll Free: (800) 325-9468 Fax: (661) 257-4320

E-mail: valves@kbico.com Web: www.kbico.com

Lo-Profile Swing Check Valve

Features:

- Swing Check flow loss insignificant due to full flow design.
- Meets/Exceeds ASTM & ANSI standards.
- Made of High-Impact PVC Type II material.
- Molded in the **USA** by KBI.
- Swing Check is not recommended to be installed with outlet side angled down or facing down.



Model	Connection	Size	Case	Weight
KSL-1000-S	Slip x Slip	1"	12	6.1
KSL-1250-S	Slip x Slip	1 1/4"	18	7.2
KSL-1500-S	Slip x Slip	1 1/2"	18	4.3
KSL-2000-S	Slip x Slip	2"	18	4.0

FEATURES COMMON TO KBI PVC PRODUCTS

- NSF listed *
- Molded in the USA by KBI
- Limited LIFETIME Warranty
- Pressure rated to 230 psi non-shock (150 working)
- Meets/Exceeds ASTM Standards
- Made with Hi-Impact PVC Type II Cell Class 15344-C

