



The Choice of Professionals

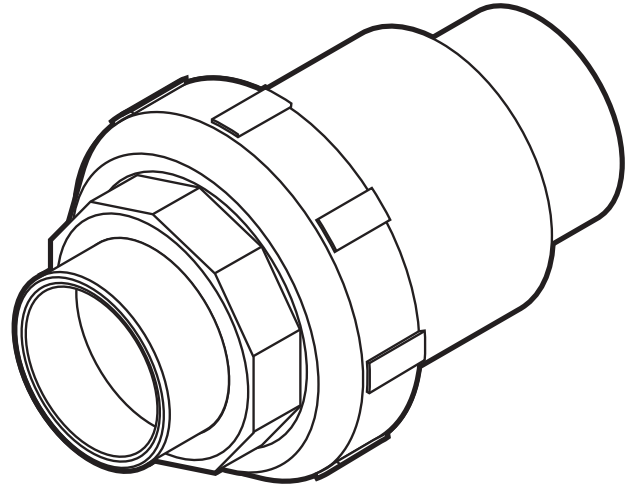
King Bros. Industries

29101 The Old Road, Valencia, CA 91355
Toll Free: (800) 325-9468 Fax: (661) 257-4320
E-mail: valves@kbico.com Web: www.kbico.com

PVC Pool/Spa Union Check Valves

Features:

- Made with clear Type I PVC.
- Combination 1-1/2" socket and 2" spigot on each end can be used on both sizes of pipe.
- Resistant to all pool/spa chemicals for long life/no maintenance.
- Complies with all ASTM & ANSI standards.
- Unique KBI single union allows for serviceability.
- Molded in the **USA** by KBI.
- Replaceable poppet and 1/3 lb. spring.
- Minimal flow loss.
- 150 psi working pressure (*tested to 500 psi static @ 72°F*).



Model	Size	Description	Case	Weight
PCC-1520-S	1 1/2"/2 x 1 1/2"/2	Socket/Spigot	8	5.6

FEATURES COMMON TO KBI PVC PRODUCTS

- Molded in the USA by KBI
- Limited LIFETIME Warranty
- 150 psi working pressure (*tested to 500 psi static @ 72°F*)
- Meets/Exceeds all ASTM Standards
- Made with Hi-Impact PVC Type II Cell Class 15344-C
- * See individual products for details

