



The Professional's Choice

King Bros. Industries

29101 The Old Road, Valencia, CA 91355

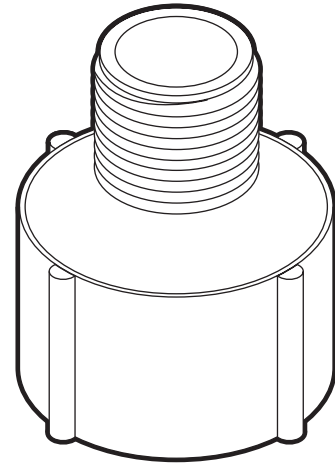
Toll Free: (800) 325-9468 Fax: (661) 257-4320

E-mail: valves@kbico.com Web: www.kbico.com

Riser Extension

Features:

- Made from durable black polyethylene
- Pressure Rated to 150 psi working pressure.
- Meets/Exceeds ASTM & ANSI standards.
- Manufactured in the **USA** by KBI.



Model	Size	Connection	Weight	W
RE-0500-05	1/2" x 1/2"	FIPT x MIPT	3.2	6.1
RE-0500-1	1/2" x 1/2"	FIPT x MIPT	4.4	7.6

FEATURES COMMON TO KBI PLUMBING PRODUCTS

- Made in the USA by KBI
- Meets/Exceeds all ASTM Standards
- Pressure rated to 150 psi @ 73°F
- Limited LIFETIME Warranty

