



The Choice of Professionals

King Bros. Industries

29101 The Old Road, Valencia, CA 91355

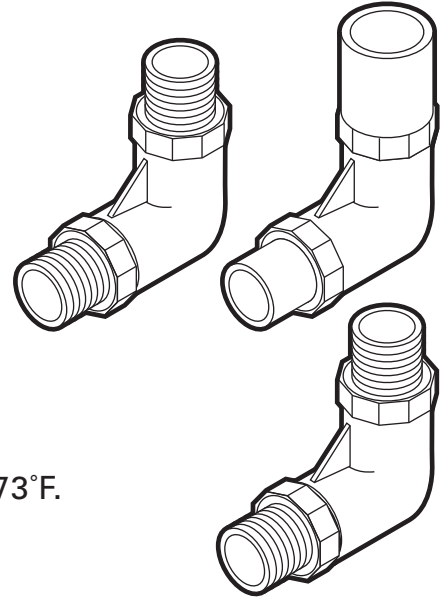
Toll Free: (800) 325-9468 Fax: (661) 257-4320

E-mail: valves@kbico.com Web: www.kbico.com

Swing Ells (PVC)

Features:

- EPDM O’rings.
- Complies with all ASTM & ANSI standards.
- Molded with HI-Impact Type II material.
- Molded in the **USA** by KBI.
- Pressure Rated to 315 psi working pressure @ 73°F.



Model	Size	Connection	Case	W
SL-0500-ADD	1/2"	M-ACME x F-ACME	100	11.6
SL-0500-SC	1/2"	Spigot x Socket	100	11.6
SL-0750-TT	1/2"	Threaded Male Adapter	100	11.6
SL-0750-ADD	3/4"	M-ACME x F-ACME	50	8.0
SL-1000-SC	3/4"	Spigot x Socket	50	8.0
SL-1000-TT	3/4"	Threaded Male Adapter	50	8.0
SL-1250-ADD	1"	M-ACME x F-ACME	30	8.5
SL-1250-SC	1"	Spigot x Socket	30	8.5
SL-1500-TT	1"	Threaded Male Adapter	30	8.5
SL-1500-ADD	1-1/4"	M-ACME x F-ACME	18	10.0
SL-1500-SC	1-1/4"	Spigot x Socket	18	10.0
SL-1500-TT	1-1/4"	Threaded Male Adapter	18	10.0

FEATURES COMMON TO KBI PVC PLUMBING PRODUCTS

- Molded in the USA by KBI
- Limited LIFETIME Warranty
- Meets/Exceeds ASTM Standards
- Pressure rated to 315 psi @ 73°F
- Made with Hi-Impact PVC Type II Cell Class 15344-C
- * See individual products for details

