



## The Professional's Choice

### King Bros. Industries

29101 The Old Road, Valencia, CA 91355

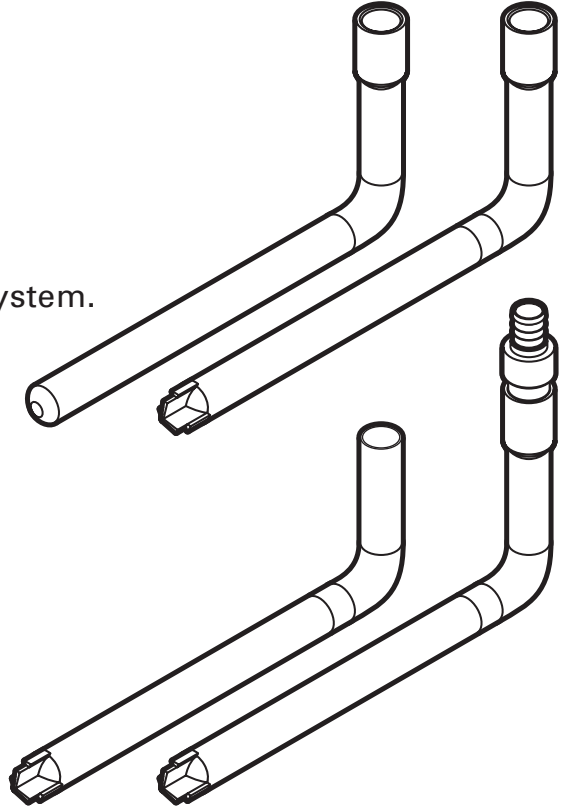
Toll Free: (800) 325-9468 Fax: (661) 257-4320

E-mail: valves@kbico.com Web: www.kbico.com

# CPVC Stub Out

## Features:

- Made with **FlowGuard Gold**® CPVC pipe.
- Perfect for leak testing a new installation.
- Designed for use with KBI pipe support system.
- Pipe is NSF Standard 14 listed.
- Meets/Exceeds ASTM & ANSI standards.
- Approved for hot & cold applications at 150 psi @ 73° F.
- Molded in the **USA** by KBI.



Model	Size	Connection	Case	Weight
SOP-0500-CE	1/2" x 8" x 3"	Socket x Closed End	Call	Call
SOP-0500-OE	1/2" x 8" x 3"	Socket x Open End	Call	Call
SOP-0500-NS	1/2" x 8" x 3"	Spigot x Closed End	Call	Call
SOP-0500-PA	1/2" x 8" x 3"	Pex x Closed End	Call	Call

### FEATURES COMMON TO KBI CPVC PLUMBING PRODUCTS

- Molded in the USA by KBI
- Limited LIFETIME Warranty
- Pressure rated to 100 psi @180°F
- Meets/Exceeds all ASTM Standards
- Made with FlowGuard Gold® CPVC

