



The Choice of Professionals

King Bros. Industries

29101 The Old Road, Valencia, CA 91355

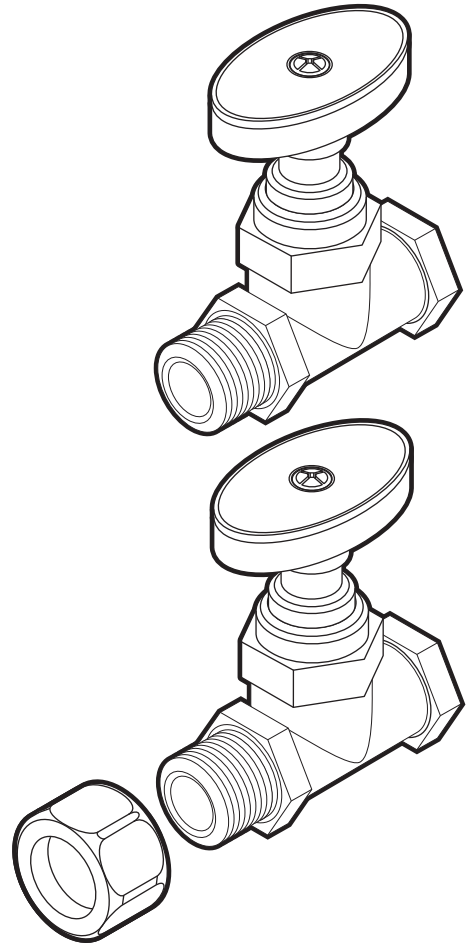
Toll Free: (800) 325-9468 Fax: (661) 257-4320

E-mail: valves@kbico.com Web: www.kbico.com

CPVC Supply Line Valves (CTS)

Features:

- Made with **PlatinumXCELL**® material.
- Available in straight or 90° angle designs.
- Tapered non-metallic valve seat and stem guarantee long wear.
- Quick/Safe/Permanent solvent weld installation to CPVC piping.
- Strong and secure compression connection to plastic riser.
- Meets/Exceeds all applicable ASTM and ANSI standards.
- Approved for hot and cold applications (to 180°F).
- ASTM D2846 25-50 Flame & Smoke Rated (water filled).
- Code approved.
- Molded in the **USA** by KBI.



Model	Size	Connection	Case	Weight
SPV-0375-CH	1/2" x 3/8"	Slip CTS x Nut/Ferule	36	7.2
SPV-0500-CH	1/2" x 1/2"	Slip CTS x MIPT	36	5.2
SPV-0500-BH	1/2" x 1/2"	Slip CTS x MIPT	36	5.3
SPV-0500-RH	1/2" x 1/2"	Slip CTS x MIPT	36	5.3

FEATURES COMMON TO KBI CPVC PLUMBING PRODUCTS

- NSF listed *
- IAPMO (UPC) listed *
- Molded in the USA by KBI
- Pressure rated to 100 psi @180°F
- Meets/Exceeds all ASTM Standards
- Made with PlatinumXCELL® CPVC
- Limited LIFETIME Warranty

