



The Professional's Choice

King Bros. Industries

29101 The Old Road, Valencia, CA 91355

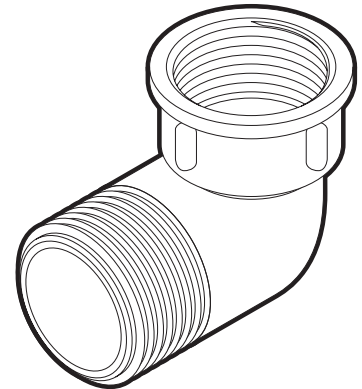
Toll Free: (800) 325-9468 Fax: (661) 257-4320

E-mail: valves@kbico.com Web: www.kbico.com

90° Street ell

Features:

- Made from durable black polyethylene.
- Pressure Rated to 150 psi working pressure.
- Meets/Exceeds ASTM & ANSI standards.
- Molded in the **USA** by KBI.



Model	Size	Connection	Case	Weight
STL-0500	1/2"	FIPT x MIPT	50	1.3
STL-0750	3/4"	FIPT x MIPT	50	2.1

FEATURES COMMON TO KBI PLUMBING PRODUCTS

- Molded in the USA by KBI
- Meets/Exceeds all ASTM Standards
- Pressure rated to 150 psi @73° F
- Limited LIFETIME Warranty

