



## The Choice of Professionals

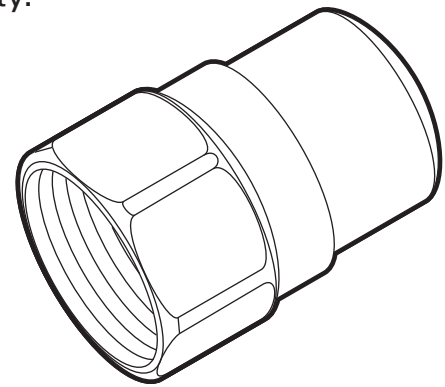
### King Bros. Industries

29101 The Old Road, Valencia, CA 91355  
Toll Free: (800) 325-9468 Fax: (661) 257-4320  
E-mail: valves@kbico.com Web: www.kbico.com

# CPVC/Stainless Steel Transition Adapters

## Features:

- Unique molded CPVC/Stainless Steel design with internal "knurl" and EPDM O'ring insures reliability and integrity.
- Large Stainless Steel hex for easy connection to IPS sized pipe and fittings.
- Meets/Exceeds ASTM & ANSI standards.
- Made with **PlatinumXCELL**® material.
- 304 Stainless Steel is galvanically compatible with Brass and Copper in potable water plumbing systems.
- Complies with all Low-Lead plumbing laws.
- Will not leach hazardous materials.
- ASTM D2846 25-50 Flame & Smoke Rated (*water filled*).
- Code approved.



Model	Size	Connection	Case	Weight
TFS-0500	1/2"	MIPT Stainless Steel x CTS Socket	150	16.3
TFS-0750	3/4"	MIPT Stainless Steel x CTS Socket	100	16.7
TFS-1000	1"	MIPT Stainless Steel x CTS Socket	8	20.1
TFS-1250	1 1/4"	MIPT Stainless Steel x CTS Socket	6	7.28
TFS-1500	1 1/2"	MIPT Stainless Steel x CTS Socket	6	9.42
TFS-2000	2"	MIPT Stainless Steel x CTS Socket	6	9.9

## FEATURES COMMON TO KBI CPVC PLUMBING PRODUCTS

- NSF listed \*
- IAPMO (UPC) listed \*
- Molded in the USA by KBI
- Pressure rated to 100 psi @180°F
- Meets/Exceeds all ASTM Standards
- Made with PlatinumXCELL® CPVC
- Limited LIFETIME Warranty

