



The Professional's Choice

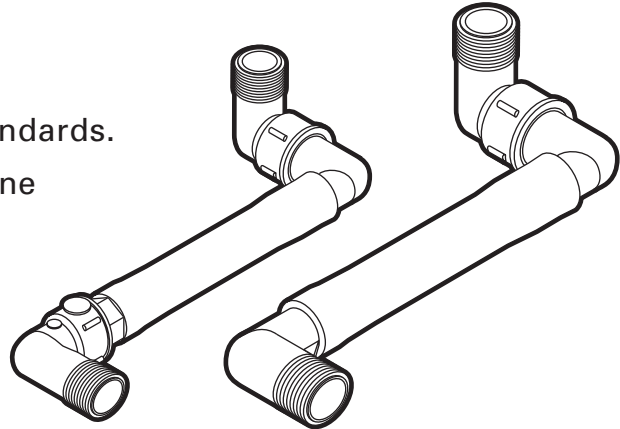
King Bros. Industries

29101 The Old Road, Valencia, CA 91355
Toll Free: (800) 325-9468 Fax: (661) 257-4320
E-mail: valves@kbico.com Web: www.kbico.com

Economy Triple Swing Assembly

Features:

- Complies with all ASTM & ANSI standards.
- Made with High-density Poly Ethylene and Acetal.
- Molded in the **USA** by KBI.
- Pressure Rated to 100 psi @ 73°F Nominal operating pressure.



Model	Size	Description	Case	Weight
TSE-0500-6	1/2" x 6"	MIPT x MIPT	100	11.0
TSE-0750-6R	1/2" x 6"	MIPT x MIPT	80	14.8
TSE-0500-12	1/2" x 12"	MIPT x MIPT	50	9.3
TSE-0500-12R	1/2" x 12"	MIPT x MIPT	60	11.3
TSE-0750-6	1/2" x 3/4" x 6"	MIPT x MIPT	50	12.6
TSE-0750-6R	1/2" x 3/4" x 7"	MIPT x MIPT	50	14.8
TSE-0750-12	1/2" x 3/4" x 12"	MIPT x MIPT	50	14.8
TSE-0507-18	1/2" x 3/4" x 18"	MIPT x MIPT	50	14.8
TSE-0750-6	3/4" x 6"	MIPT x MIPT	50	13.0
TSE-0750-6R	3/4" x 6"	MIPT x MIPT	50	10.5
TSE-0750-12	3/4" x 12"	MIPT x MIPT	50	13.0
TSE-0750-12R	3/4" x 12"	MIPT x MIPT	50	14.0

FEATURES COMMON TO KBI PLUMBING PRODUCTS

- Molded in the USA by KBI
- Limited LIFETIME Warranty
- Meets/Exceeds ASTM Standards
- Pressure rated to 100 psi @ 73° F
- * See individual products for details

