



The Choice of Professionals

King Bros. Industries

29101 The Old Road, Valencia, CA 91355

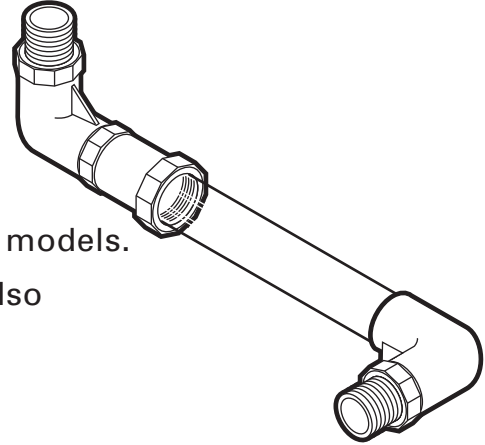
Toll Free: (800) 325-9468 Fax: (661) 257-4320

E-mail: valves@kbico.com Web: www.kbico.com

Swing Assembly Kits

Features:

- EPDM O’rings.
- Complies with all ASTM & ANSI standards.
- Metric/BSP option also available on ST & TT models.
- Replacement inlets (*TSI*) and outlets (*TSO*) also available in every configuration.
- Made with HI-Impact Type II material.
- Molded in the **USA** by KBI.
- Pressure Rated to 315 psi working pressure @ 73°F.



Model	Size	Description	Case	W
TSK-0500-ST	1/2"	Spigot x MIPT	1	N/A
TSK-0500-TT	1/2"	MIPT x MIPT	1	N/A
TSK-0750-ST	3/4"	Spigot x MIPT	1	N/A
TSK-0750-TT	3/4"	MIPT x MIPT	1	N/A
TSK-1000-ST	1"	Spigot x MIPT	1	N/A
TSK-1000-TT	1"	MIPT x MIPT	1	N/A
TSK-1250-ST	1-1/4"	Spigot x MIPT	1	N/A
TSK-1250-TT	1-1/4"	MIPT x MIPT	1	N/A
TSK-1500-ST	1-1/2"	Spigot x MIPT	1	N/A
TSK-1500-TT	1-1/2"	MIPT x MIPT	1	N/A

FEATURES COMMON TO KBI PVC PLUMBING PRODUCTS

- Molded in the USA by KBI
- Limited LIFETIME Warranty
- Meets/Exceeds ASTM Standards
- Pressure rated to 315 psi @ 73°F
- Made with Hi-Impact PVC Type II Cell Class 15344-C
- * See individual products for details

