



## The Professional's Choice

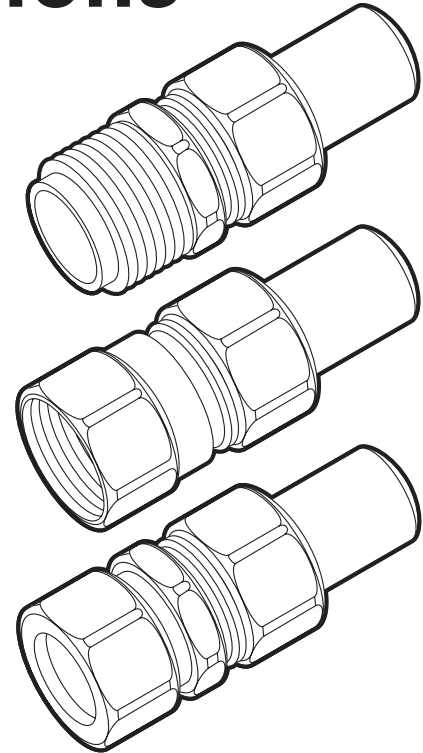
### King Bros. Industries

29101 The Old Road, Valencia, CA 91355  
Toll Free: (800) 325-9468 Fax: (661) 257-4320  
E-mail: valves@kbico.com Web: www.kbico.com

# CPVC Transition Unions

## Features:

- Versatile design allows disconnection of line.
- Utilizes TCA-0500/0750 CPVC adapter.
- Three models for every application.
- Meets/exceeds all ASTM & ANSI standards.
- Made with **FlowGuard Gold**® CPVC.
- Molded in the **USA** by KBI.
- EPDM high quality washer insures sure seal.
- **Lead-Free** brass design.



Model	Size	Connection	Case	Weight
TUC-0500	1/2"	COMP Lead-Free Brass x Spigot CPVC	150	28.0
TUC-0750	3/4"	COMP Lead-Free Brass x Spigot CPVC	75	26.0
TUF-0500	1/2"	FPT Lead-Free Brass x Spigot CPVC	150	20.0
TUF-0750	3/4"	FPT Lead-Free Brass x Spigot CPVC	75	20.0
TUM-0500	1/2"	MPT Lead-Free Brass x Spigot CPVC	150	22.0
TUM-0750	3/4"	MPT Lead-Free Brass x Spigot CPVC	75	19.0

### FEATURES COMMON TO KBI CPVC PLUMBING PRODUCTS

- NSF listed \*
- Pressure rated to 100 psi @180°F
- Molded in the USA by KBI
- Meets/Exceeds all ASTM Standards
- Limited LIFETIME Warranty
- Made with FlowGuard Gold® CPVC

