



The Choice of Professionals

King Bros. Industries

29101 The Old Road, Valencia, CA 91355

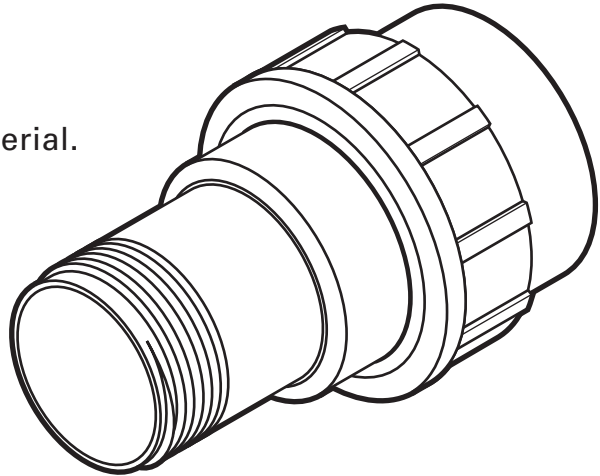
Toll Free: (800) 325-9468 Fax: (661) 257-4320

E-mail: valves@kbico.com Web: www.kbico.com

NPT SCH 80 Union

Features:

- Made of High-Impact PVC Type II material.
- Meets/Exceeds ASTM schedule 80 socket and material standards.
- Slip or thread connections.
- Viton O'rings available.
- EPDM O'rings.
- Molded in the **USA** by KBI.
- 235 PSI Rated (*Static Pressure*)
150 PSI (*Working Pressure*) at 72°.



Models		Size	Case	Weight
Socket x Socket	FIPT x FIPT			
U-0500-SM	U-0500-TM	1/2"	12	2.5
U-0750-SM	U-0750-TM	3/4"	12	3.9
U-1000-SM	U-1000-TM	1"	12	5.4
U-1250-SM	U-1250-TM	1 1/4"	6	3.4
U-1500-SM	U-1500-TM	1 1/2"	6	4.8
U-2000-SM	U-2000-TM	2"	6	6.8

FEATURES COMMON TO KBI PVC PRODUCTS

- NSF listed *
- Molded in the USA by KBI
- Limited LIFETIME Warranty
- 235 PSI Rated (*Static Pressure*) 150 PSI (*Working Pressure*) at 72°
- Made with Hi-Impact PVC Type II Cell Class 15344-C
- * See individual products for details

