



The Choice of Professionals

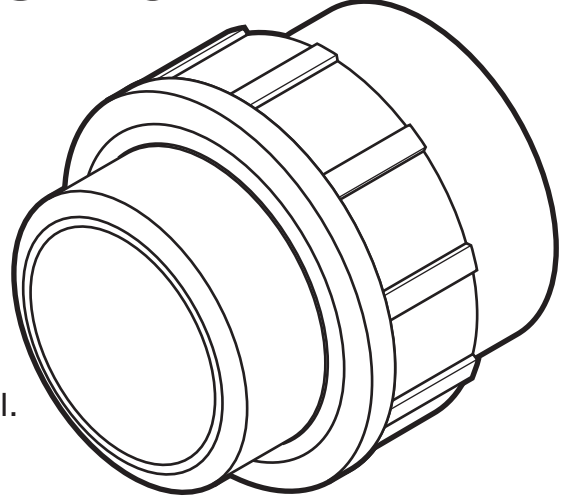
King Bros. Industries

29101 The Old Road, Valencia, CA 91355
Toll Free: (800) 325-9468 Fax: (661) 257-4320
E-mail: valves@kbico.com Web: www.kbico.com

Standard SCH 80 Union

Features:

- Slip or thread connections.
- EPDM O'rings.
- Viton O'rings available.
- Meets/Exceeds ASTM schedule 80 socket and material standards.
- Made of High-Impact PVC Type II material.
- Molded in the **USA** by KBI.
- Note: FIPT "-T" models not IAPMO (UPC) listed.
- 150 psi working pressure (*tested to 500 psi static @ 72°F*).



| Models | | Size | Case | Weight |
|-----------------|-------------|--------|------|--------|
| Socket x Socket | FIPT x FIPT | | | |
| U-0500-S | U-0500-T | 1/2" | 48 | 8.2 |
| U-0750-S | U-0750-T | 3/4" | 24 | 6.8 |
| U-1000-S | U-1000-T | 1" | 18 | 7.1 |
| U-1250-S | U-1250-T | 1 1/4" | 12 | 5.9 |
| U-1500-S | U-1500-T | 1 1/2" | 12 | 8.4 |
| U-2000-S | U-2000-T | 2" | 6 | 6.1 |
| U-2500-S | U-2500-T | 2 1/2" | 4 | 9.9 |
| U-3000-S | U-3000-T | 3" | 2 | 5.4 |
| U-4000-S | U-4000-T | 4" | 2 | 6.8 |

FEATURES COMMON TO KBI PVC PRODUCTS

- NSF listed *
 - Molded in the USA by KBI
 - Limited LIFETIME Warranty
 - 235 PSI Rated (*Static Pressure*) 150 PSI (*Working Pressure*) at 72°
 - Meets/Exceeds ASTM Standards
 - Made with Hi-Impact PVC Type II Cell Class 15344-C
- * See individual products for details

