



The Choice of Professionals

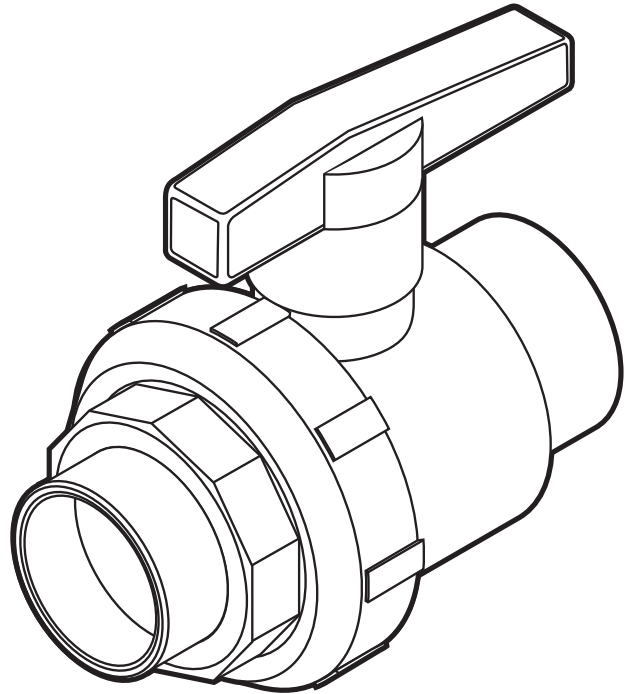
King Bros. Industries

29101 The Old Road, Valencia, CA 91355
Toll Free: (800) 325-9468 Fax: (661) 257-4320
E-mail: valves@kbico.com Web: www.kbico.com

Water Single Union Ball Valves

Features:

- All models preset at 5 psi or 12 feet of head and can be adjusted to 14 psi or 32 feet of head.
- Combination 1-1/2" socket and 2" spigot on each end can be used on both sizes of pipe. (-S model only)
- Resistant to all pool/spa chemicals for long life/no maintenance.
- Full Port Design.
- Meets/Exceeds ASTM & ANSI standards.
- Made with HI-IMPACT PVC Type II material with strong impact resistant red handle.
- EPDM O'ring
- Single union design for easy serviceability.
- Molded in the **USA** by KBI.



Model	Size	Description	Case	Weight
WSU-1520-S	1 1/2"+2" x 1 1/2"+2"	Socket x Socket	6	5.6

FEATURES COMMON TO KBI PVC PRODUCTS

- Molded in the USA by KBI
- Limited LIFETIME Warranty
- 150 psi working pressure (tested to 500 psi static @ 72°F)
- Meets/Exceeds ASTM Standards
- Made with Hi-Impact PVC Type II Cell Class 15344-C
- * See individual products for details

